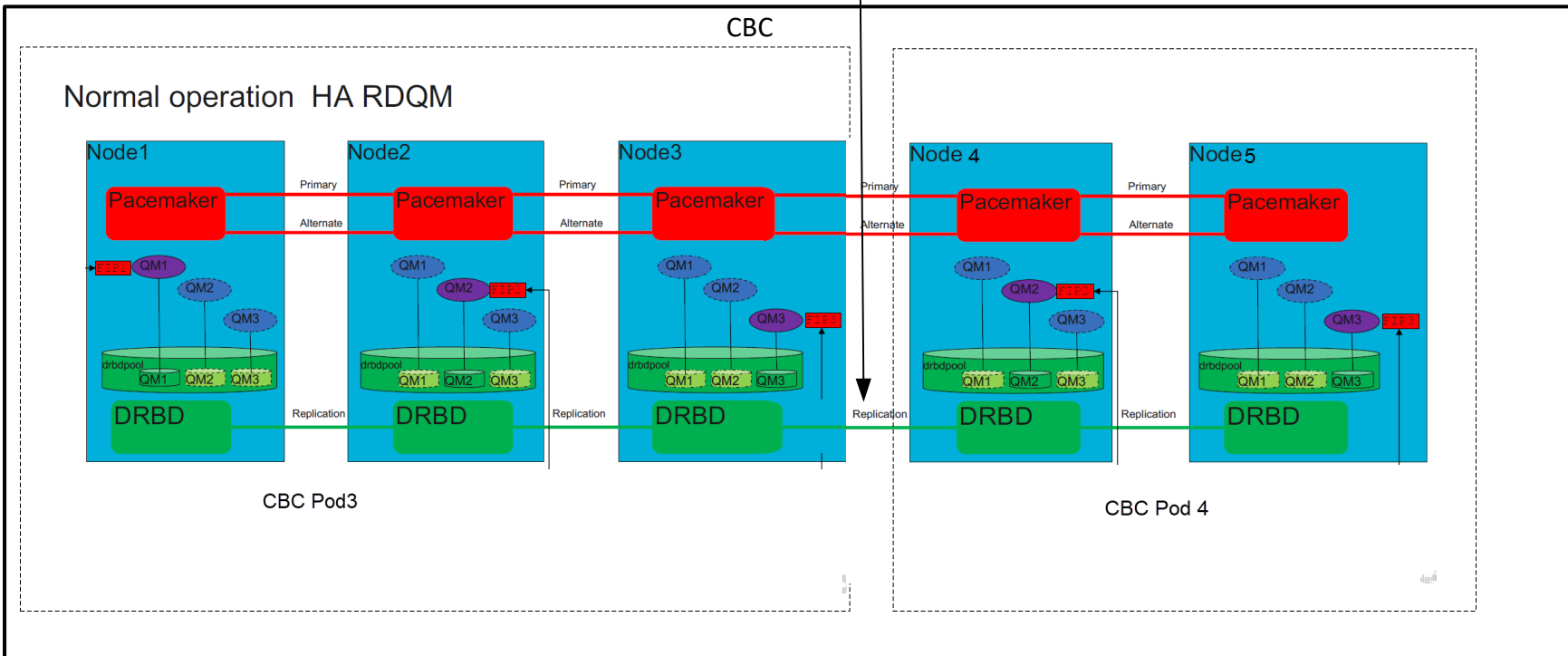
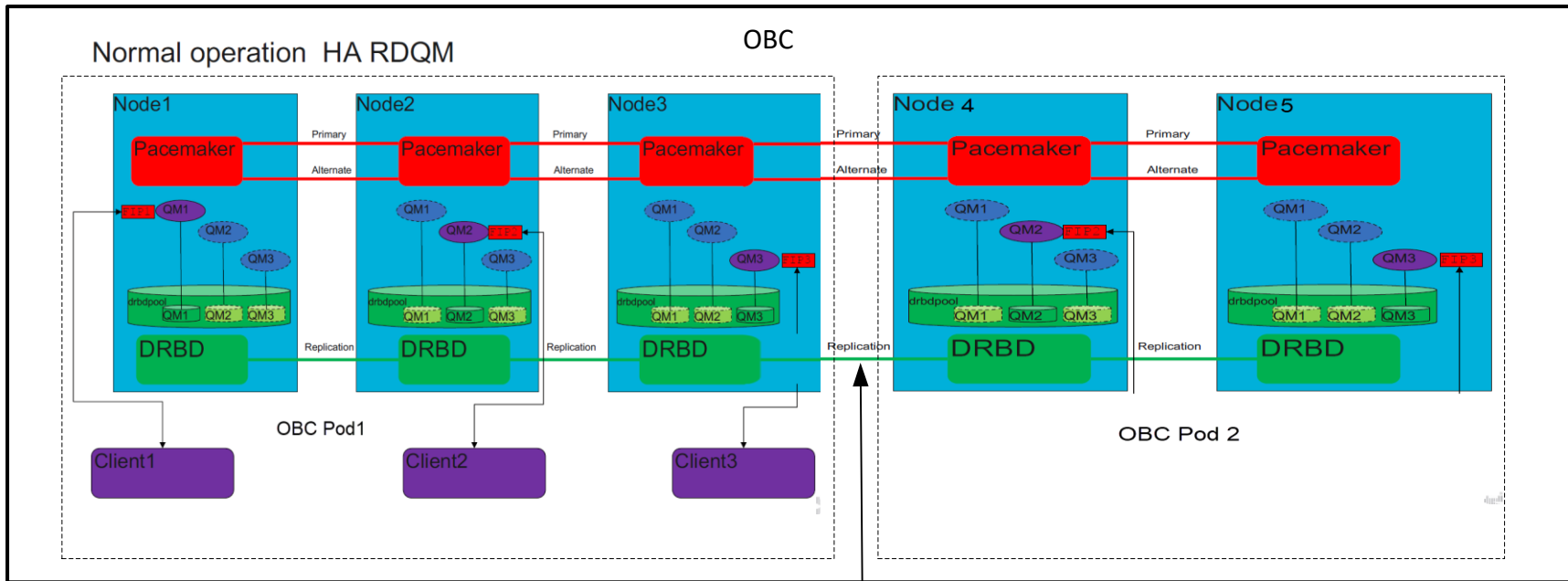


Datacenter 1



Datacenter 2